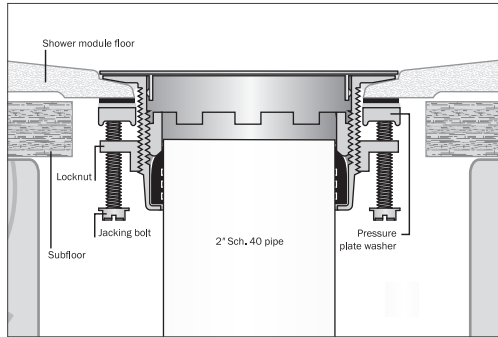


# JackRabbit™

## Jacking Bolt Shower Drain

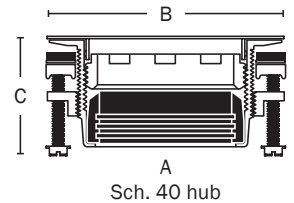
- Perfect for replacement applications when workspace is restricted
- Brass body, locknut and pressure plate washer with elastomer no-caulk gasket



Unique design uses stainless steel "jacking bolts" and a pressure plate washer to create a seal – no need to wrench tighten the outer locknut.



827-2J



Item No	Dimensions			Pkg	Min Qty	Case Qty
	A	B	C			
<b>SHOWER DRAIN</b>						
827-2J	2"	4¼"	2⅝"	C*	1	6
<b>REPLACEMENT GASKET</b>						
827-2BG	Elastomer compression gasket			B	10	100

SUPPLY

DRAINAGE

SUPPORT

APPENDIX

## No-Caulk Shower Module Drain

### Brass Body with Snap-in Stainless Steel Strainer

- Brass body and locknut with elastomer no-caulk gasket
- Snap-in 430 stainless steel strainer

### PVC Body with Snap-in Stainless Steel Strainer

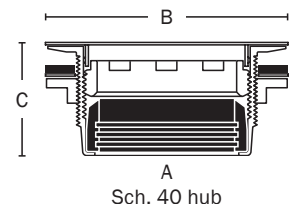
- PVC body and locknut with elastomer no-caulk gasket
- Snap-in 430 stainless steel strainer
- Do not use putty with plastic shower drains



827-2B



828-2



Item No	Dimensions			Pkg	Min Qty	Case Qty
	A	B	C			
<b>CAST BRASS BODY DRAIN</b>						
827-2B	2"	4¼"	2⅝"	C*	1	10
<b>PVC DRAIN</b>						
828-2	2"	4¼"	2⅝"	B	1	20
828-2PK	2"	4¼"	2⅝"	C*	10	10
<b>REPLACEMENT GASKET</b>						
827-2BG	Elastomer compression gasket			B	10	100